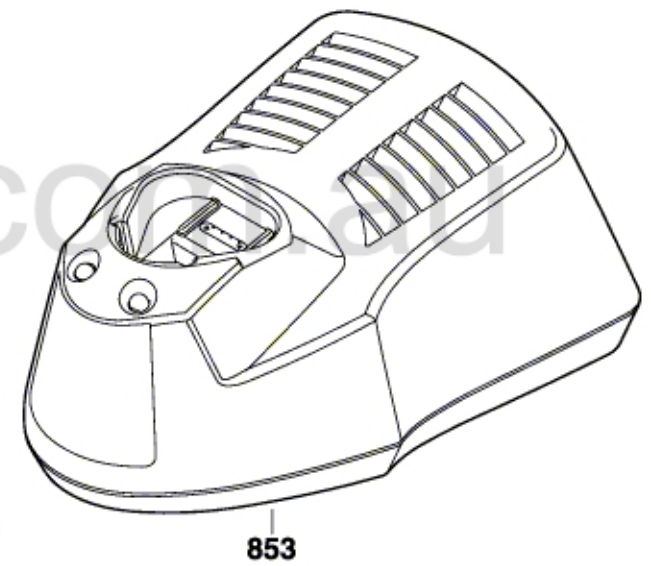
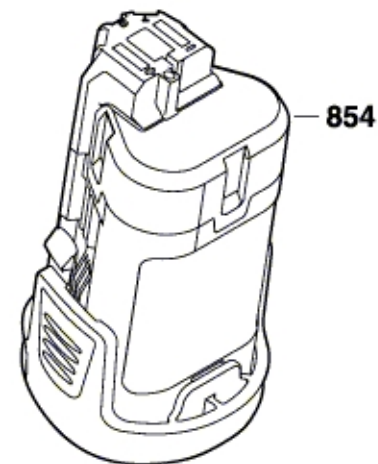
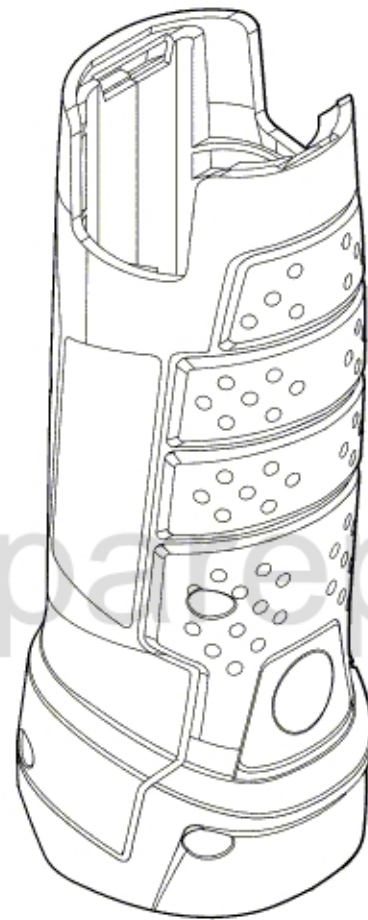


3 603 JA1 000

Stand } ~~13-04-11~~  
Issue } 13-04-23

**Fig. /Abb. 1**



Modifications reserved  
Änderungen vorbehalten  
Modifications reserves  
Salvo modificaciones